



Ceramic Trimmer Capacitors

SGC3 Series

Series Overview:

The SGC3 Series Chip Trimmer Capacitors are miniature ultra thin surface mounted devices intended for telecom and microwave projects requiring miniaturization. Super thin and dust proof, these sealed capacitors are ideal for designs requiring fine adjustment and very minimal capacity drift.

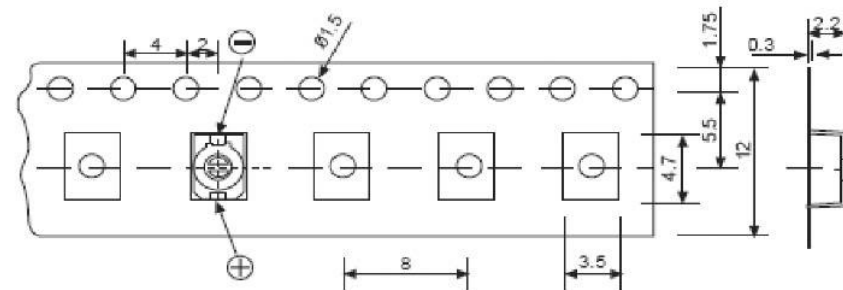


Feature Highlights:

- A miniature ultra thin surface mounted device with external dimensions of 3.2 (W) x 4.5 (L) x 1.5 (H)
- Constructed with high temperature liquid-crystal polymer for superior durability and low dielectric loss
- Sealed construction prevents penetration of flux and dust
- Designed for reflow soldering
- Mountable by an automatic placer
- Standard tape and reel packaging
- Easy adjustment using conventional screw driver
- Customized lead configurations available

Key Specifications:

Spec	Part No	SGC3S030	SGC3S060	SGC3S100	SGC3S200	SGC3S300
Color		Black	Blue	Ivory	Pink	Green
Capacitance (pF min) less than		1.2	2.2	3.0	5.5	8.0
Capacitance (pF max) more than		3.0 ⁺³⁰	6.0 ⁺³⁰	10.0 ⁺³⁰	20.0 ⁺³⁰	30.0 ⁺³⁰
Temperature Coefficient (ppm/°C)		N470 ± 60	N470 ± 60	N1000 ± 250	N1000 ± 250	N1200 ± 200
Q (@ 1 MHz and Cmax) over		300	500	500	500	500
Insulation Resistance		10 ⁹ MΩMin				
Torque		0.14 to 1.0 oz. in.				
DC Working Voltage		100 VDC	100 VDC	50 VDC	50 VDC	50 VDC
DC Withstanding Voltage		220 VDC	220 VDC	110 VDC	110 VDC	110 VDC
Operating temperature °C		25° C to 85° C				

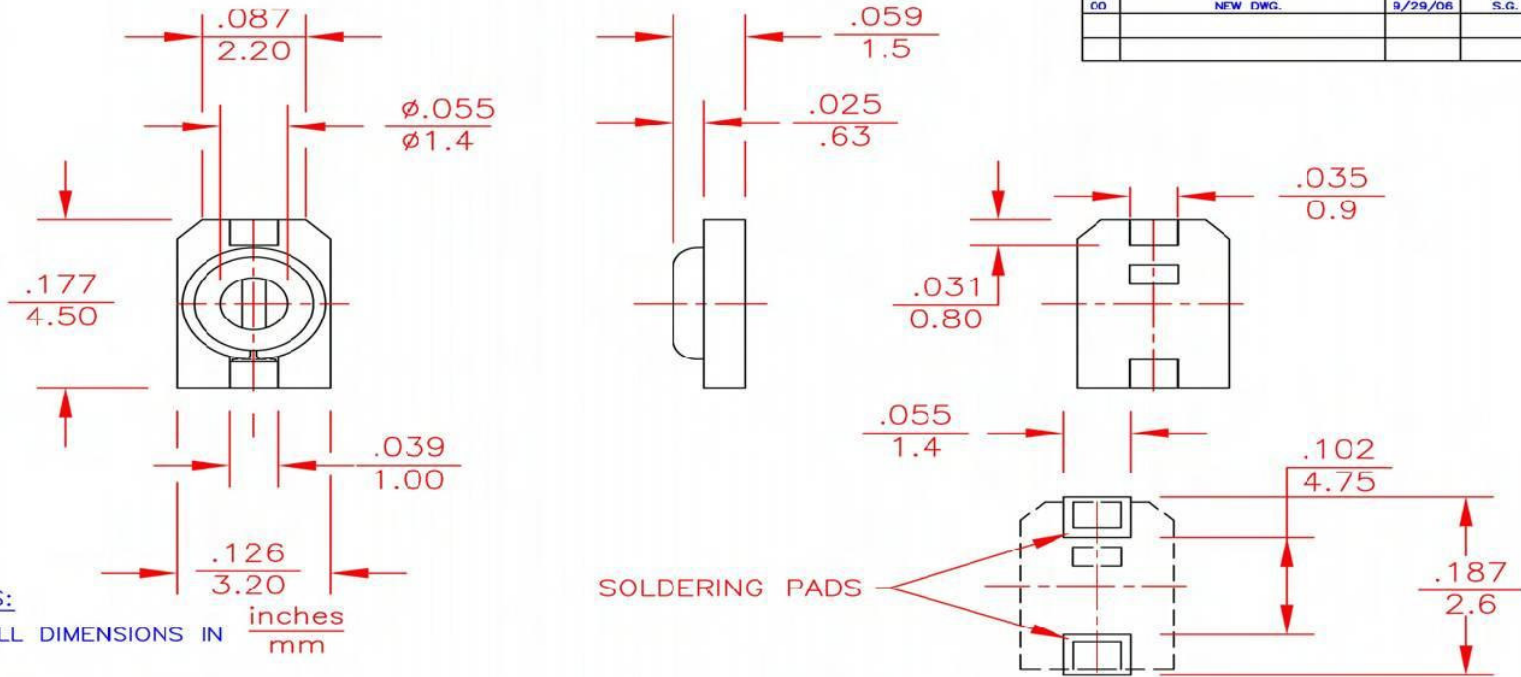




Ceramic Trimmer Capacitors

SGC3 Series

REV.	DESCRIPTION	DATE	APP.
00	NEW DWG.	9/29/06	S.G.



NOTES:

1. ALL DIMENSIONS IN $\frac{\text{inches}}{\text{mm}}$

SUGGESTED SURFACE MOUNT LAYOUT

RECOMMENDED THICKNESS OF SOLDER $\frac{.0006}{0.15}$

SPECS	PART NUMBER	SGC3S030	SGC3S060	SGC3S100	SGC3S200	SGC3S300
COLOR CODE		BLACK	BLUE	IVORY	PINK	GREEN
Capacitance (pF min.) less than		1.2	2.2	3.0	5.5	8.0
Capacitance (pF max.) more than		3.0	6.0	10.0	20.0	30.0
Temperature coefficient (ppm/°C)		N470±60	N470±60	N1000±250	N1000±250	N1200±200
Q (at 1MHz and Cmax) over		300	500	500	500	500
Insulation resistance		10 ⁴ megohms				
Torque		0.14 to 1.0 oz-in / 10 to 72 gf-cm				
DC Working voltage		100 VDC	100 VDC	50 VDC	50 VDC	50 VDC
DC Withstanding voltage		220 VDC	220 VDC	110 VDC	110 VDC	110 VDC
Operating temperature °C		-40 to +85				
Self resonant frequency @ Cmax		2.0 GHz	1.5 GHz	1.3 GHz	0.8GHz	0.6 GHz

TOLERANCES: (EXCEPT AS NOTED)	SPRAGUE GOODMAN ELECTRONICS INC. 1700 SHAMES DRIVE WESTBURY, NY 11590		
DECIMAL: xxx ±.016 in ±.41 mm	MATERIAL:	SCALE 8:1	DRAWN BY: D.DITLYA
FRACTIONAL: 1/64	APPROVED: S.GRINBERG		TITLE: OUTLINE DWG SGC3 PRODUCT LINE
ANGULAR: 1/64	DATE: 9/29/06	DRAWING NUMBER SGC3	Rev. 00